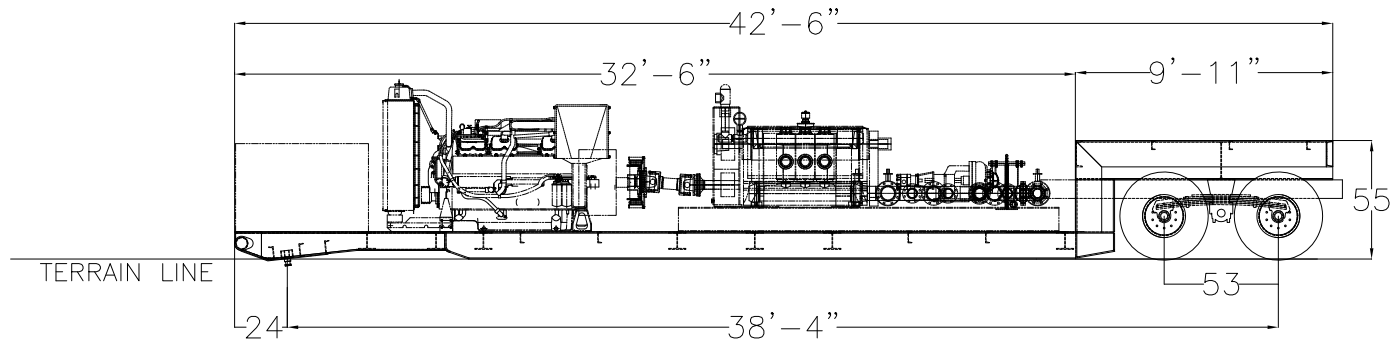


TRAILER IS SHOWN SET FOR MUD PUMP, ENGINE AND MANIFOLD



35 TON CAPACITY

FRONT PIPE W/ CABLE SLING

16.5" X 7.5" BRAKES

25,000 # CAPACITY AXLES

SPRING BRAKES- 1 AXLE

11-R 22.5 (LRH) TIRES

8.25X22.5 STEEL DISC WHEELS

SINGLE POINT LEAF SPRING SUSPENSION

35 TON OILFIELD ROCK OVER TRAILER