

LCI-2000



Drawworks

- LCI-2000 Single Drum Electric
- Drum Size 27 x 50
- Brakes 54 x 12 Water Circulating

Auxillary Brake

- Disc Model 336

Rotary Drive

- 752 Independent Electric Drive

Mast

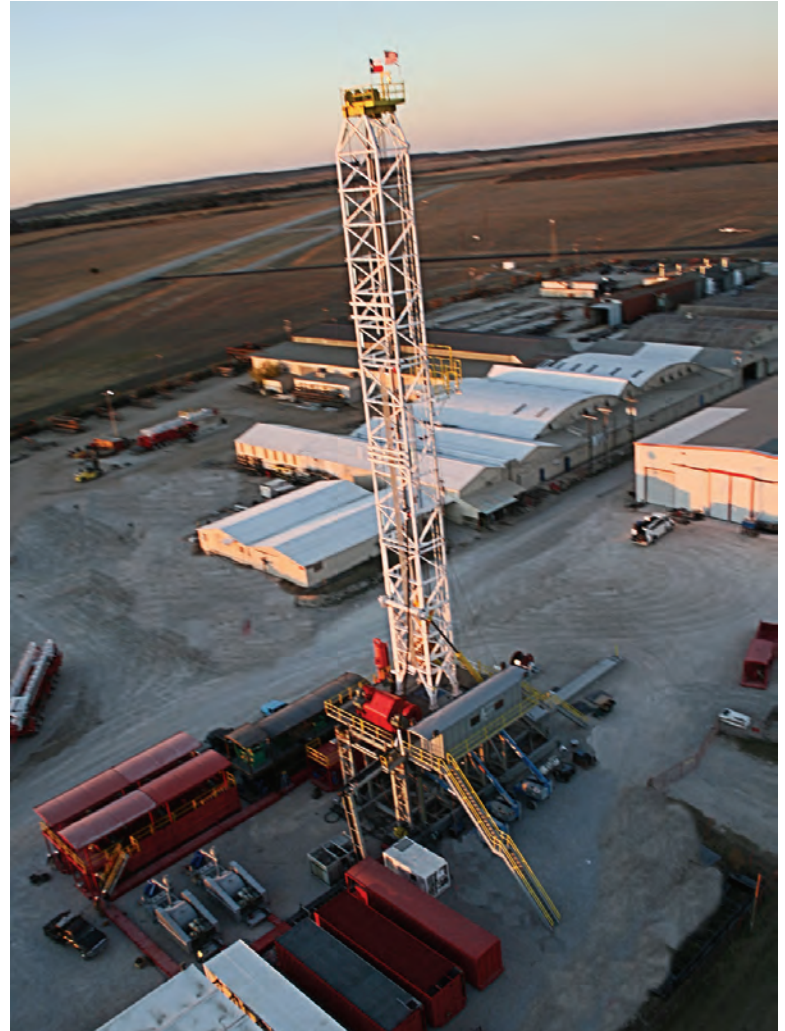
- 147' x 1.2 mK (3 Section Free Standing)
- Crown - 12 Line String for 1 3/8" Wire Line
- Adjustable Racking Board
- 15,000' x 5" DP
- Top Head Drive Rails Included
- Mast Hydraulically Raised

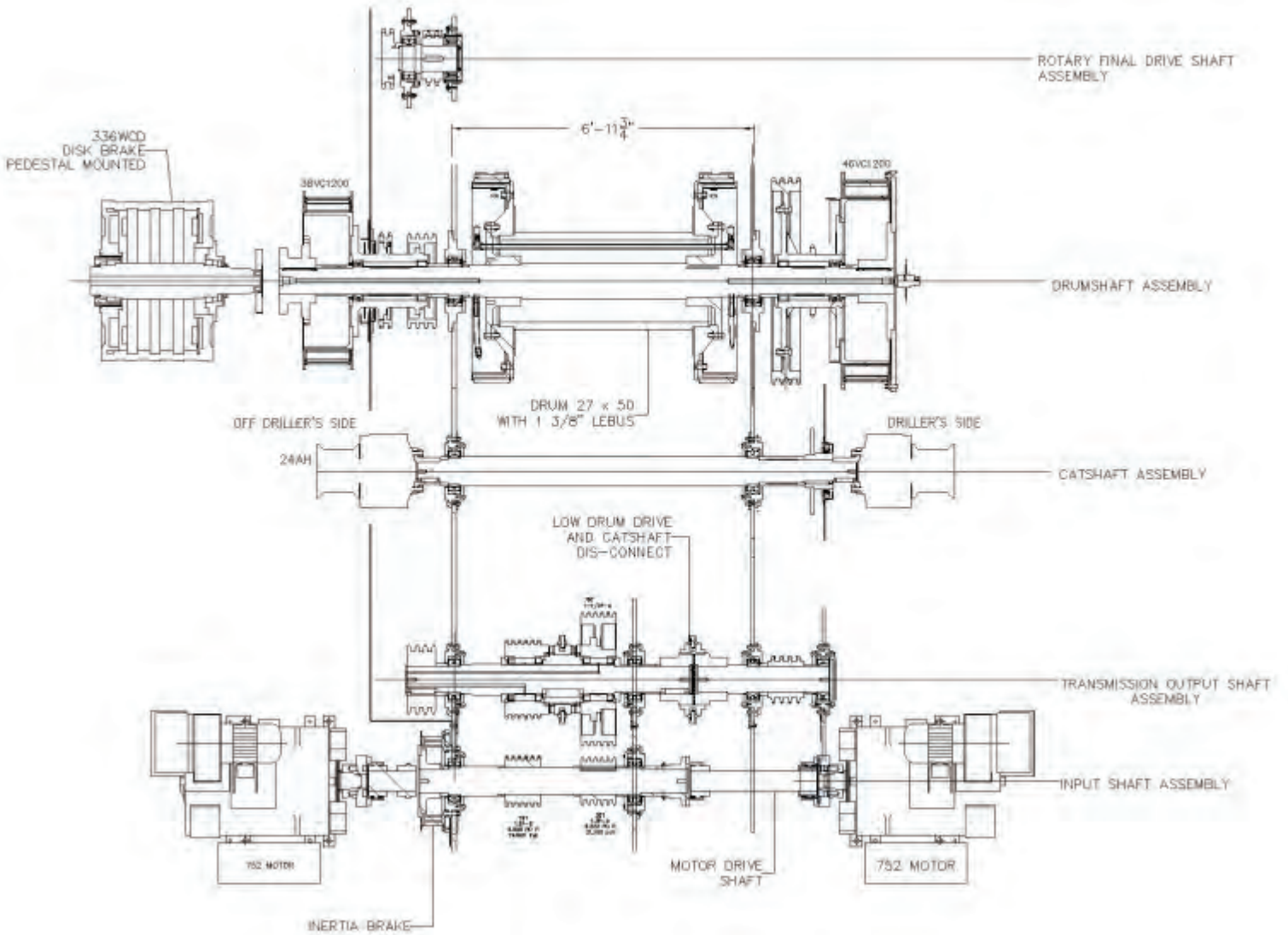
Sub Structure

- Parallelogram 30' SUB
- Independent Rotary Drive for 37 1/2" Table
- Rotary Beam for 25' Clear Height (2 ea. x 25T)
- 1,200,000 lbs. Rotary Capacity

Available Options

- Traveling Frame
- Substructure
- Top Drive
- Rotary Drive
- Rotary Table
- 500 or 650 Ton Block







LOADCRAFT INDUSTRIES, LTD.
INDUSTRIAL SERVICES, LTD.